

(DR-12) CITY OF SACO
CURB OPENING FOR DRAINAGE OUTLET

N.T.S.

Short Form Specifications:

Material: **BITUMINOUS CONCRETE PAVEMENT; BASE AND SUBBASE GRAVELS; RIPRAP; FILTER FABRIC.** QA/QC: **N/A**
Submittal: **MATERIAL GRADATION.** Completion: **N/A**
Installation: **PER SECTION 02511 – ASPHALTIC CONCRETE PAVING; 02270 – SLOPE PROTECTION AND EROSION CONTROL OF STANDARD SPECIFICATIONS.**

Design Checklist:

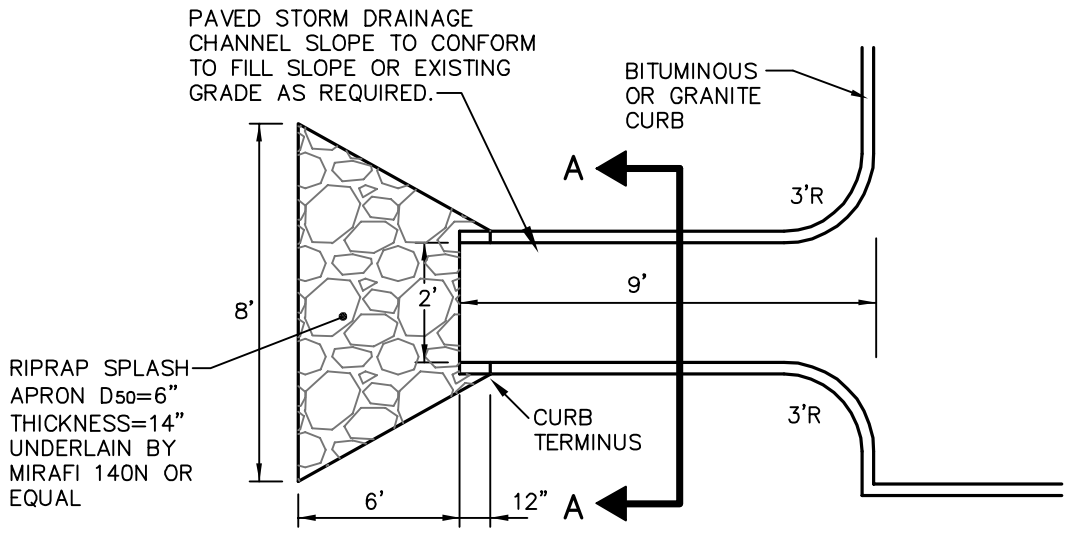
Use: **FOR MINOR ROADWAY DRAINAGE AREAS WHERE SMALL AMOUNTS OF CONCENTRATED FLOWS CAN BE ACCOMMODATED BY ADJACENT PROPERTIES. (< 2 CFS)**
Computations: **GUTTER FLOW, SLOPE, VELOCITY**

Water Quality Provisions:

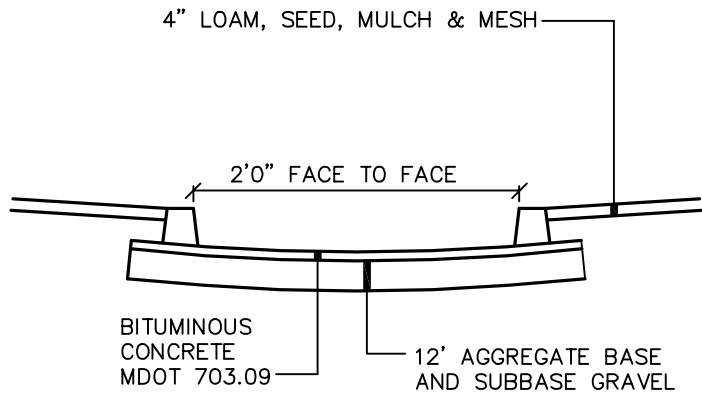
N/A

Cross Reference:

Zoning/Site Plan Review: **ARTICLE 8 – "GOOD NEIGHBOR" PERFORMANCE STANDARDS, PARAGRAPH 805 – STORMWATER RUNOFF**
Subdivision Review: **ARTICLE 10, PARAGRAPH 10.12 – STORMWATER MANAGEMENT; ARTICLE 11, PARAGRAPH 11.14 – STORM AND SURFACE DRAINAGE.**
ASCE MREP No. 77: **N/A**
MEDEP STORMWATER BMP: **N/A**



PLAN



SECTION A-A

(DR-12) CITY OF SACO
 CURB OPENING FOR DRAINAGE OUTLET

N.T.S.