

(DR-19) CITY OF SACO
ORIFICE STRAINER DETAIL

N.T.S.

Short Form Specifications:

Material: **STEEL PLATES, NO. 2 REBAR;
STAINLESS STEEL HARDWARE.**

QA/QC: **PROVIDE ROUTINE INSPECTION FOR DEBRIS.**

Submittal: **SHOP DRAWINGS.**

Completion: **N/A**

Installation: **CONSTRUCT UPON COMPLETION OF ORIFICE STRUCTURE.**

Design Checklist:

Use: **CONSTRUCT FOR ORIFICE 2" IN DIAMETER AND SMALLER.**

Computations: **N/A**

Water Quality Provisions:

REMOVES DEBRIS FROM ORIFICE WITHIN OUTLET CONTROL STRUCTURE.

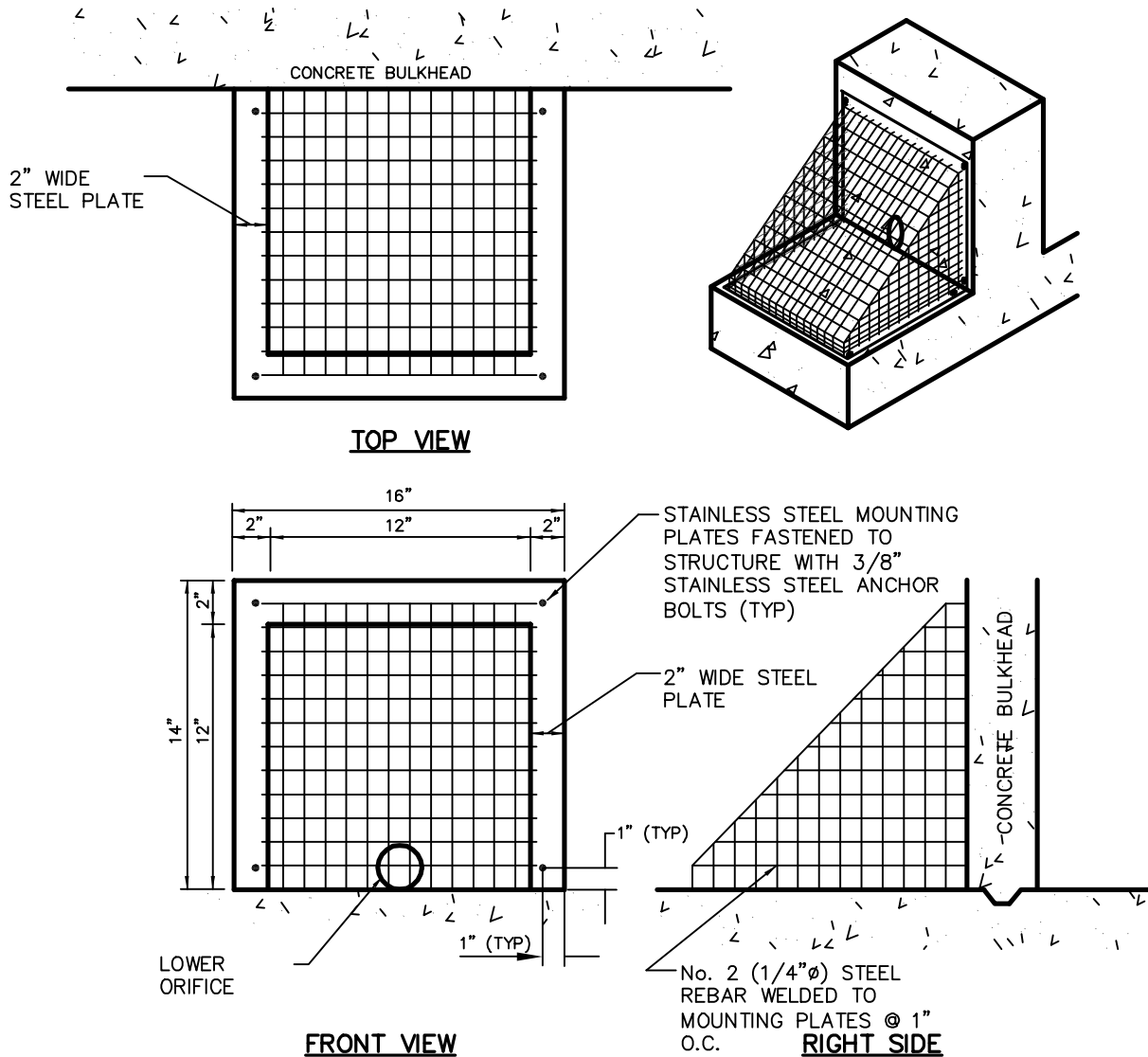
Cross Reference:

Zoning/Site Plan Review: **ARTICLE 8 – "GOOD NEIGHBOR" PERFORMANCE STANDARDS, PARAGRAPH 805 – STORMWATER RUNOFF**

Subdivision Review: **ARTICLE 10, PARAGRAPH 10.12 – STORMWATER MANAGEMENT; ARTICLE 11, PARAGRAPH 11.14 – STORM AND SURFACE DRAINAGE.**

ASCE MREP No. 77: **N/A**

MEDEP STORMWATER BMP: **N/A**



(DR-19) CITY OF SACO
ORIFICE STRAINER DETAIL

N.T.S.