

**(DR-3) CITY OF SACO
CATCH BASIN TYPE "D"**

N.T.S.

Short Form Specifications:

Material:	PRECAST CONCRETE CATCH BASIN SECTIONS; CAST IRON FRAME AND GRATE; SEWER BRICK	QA/QC:	PROTECT STRUCTURE WITH SEDIMENT BARRIERS UPON INSTALLATION.
Submittal:	SHOP DRAWINGS, PRODUCT DATA	Completion:	REMOVE SEDIMENT BARRIER UPON STABILIZATION OF TRIBUTARY AREA.
Installation:	SEE THE FOLLOWING STANDARD SPECIFICATION SECTIONS: 02220 – EXCAVATION, BACKFILL AND COMPACTION, 02605 – MANHOLE AND CATCH BASIN STRUCTURES, 02720 – STORM SEWER SYSTEMS.		

Design Checklist:

Use: **FOR SMALL (< 10,000 S.F.) TRIBUTARY AREAS; FOR USE OFF PAVEMENT AT THE UPSTREAM END OF A
SYSTEM. THIS STRUCTURE SHOULD BE USED ONLY WHEN AN OUTLET IS REQUIRED.**

Computations: **INLET CAPACITY SHOULD BE CHECKED FOR A 50-YEAR, 24 HOUR DESIGN STORM. IF WATER QUALITY
MEASURES ARE DESIRED, THE INLET SHOULD BE CONNECTED TO A CB WITH A 3'-0" SUMP.**

Water Quality Provisions:

GRATE PROVIDES TRAP FOR LARGE DEBRIS. SUMP ALLOWS SETTLEMENT OF GROSS SOLIDS ONLY.

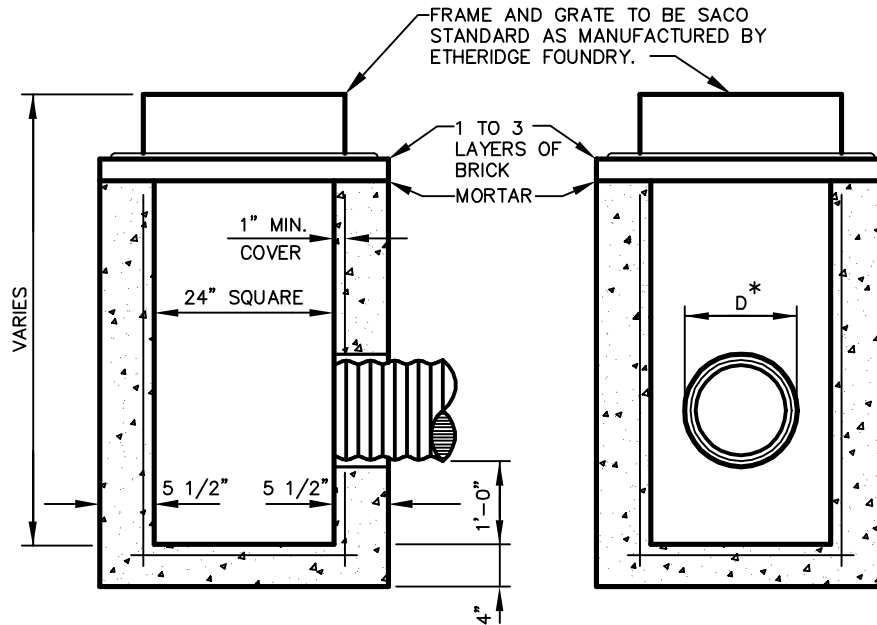
Cross Reference:

Zoning/Site Plan Review: **ARTICLE 8 – "GOOD NEIGHBOR" PERFORMANCE STANDARDS, PARAGRAPH 805 – STORMWATER
RUNOFF**

Subdivision Review: **ARTICLE 10, PARAGRAPH 10.12 – STORMWATER MANAGEMENT; ARTICLE 11, PARAGRAPH 11.14
– STORM AND SURFACE DRAINAGE.**

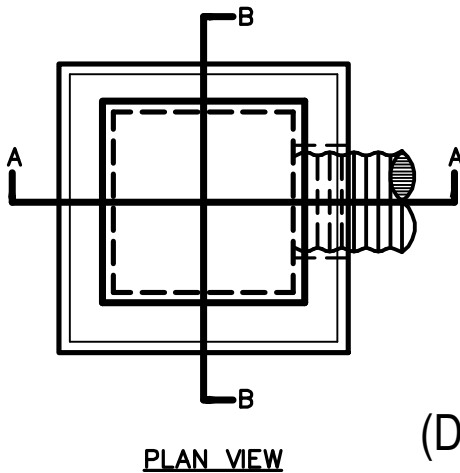
ASCE MREP No. 77: **CHAPTER 8 – DESIGN OF DRAINAGE CONVEYANCES.**

MEDEP STORMWATER BMP: **N/A**



SECTION A-A

SECTION B-B



NOTES:

ENTIRE CATCH BASIN WITH EXCEPTION OF LEVELING BRICK FRAME AND GRATE TO BE PRECAST AS SINGLE PORTLAND CEMENT CONCRETE UNIT.

* DIAMETER OF HOLE (D) TO BE 3" LARGER THAN THE INSIDE DIAMETER OF FLEXIBLE PIPE OR THE OUTSIDE DIAMETER OF RIGID PIPE.

**(DR-3) CITY OF SACO
CATCH BASIN TYPE "D"**

N.T.S.