

(DR-6) CITY OF SACO
LARGE DIAMETER STORM DRAIN MANHOLE AND
CATCH BASIN WITH FLAT TOP

N.T.S.

Short Form Specifications:

Material:	PRECAST CONCRETE MANHOLE SECTIONS, CAST IRON FRAME/GRATE, SEWER BRICK, STEPS, SELECT BACKFILL.	QA/QC:	VERIFY RIM AND INVERT ELEVATIONS; CHECK SEALS TO MINIMIZE INFLOW AND INFILTRATION.
Submittal:	SHOP DRAWINGS; PRODUCT DATA.	Completion:	ADJUST RIM TO FINAL GRADE, VERIFY INVERT CONSTRUCTION.
Installation:	SEE STANDARD SPECIFICATION SECTIONS: 02220 – EXCAVATION, BACKFILL AND COMPACTION; 02605 – MANHOLE AND CATCH BASIN STRUCTURES; 02720 – STORM SEWER SYSTEMS.		

Design Checklist:

Use: **AT ALL STORM DRAINAGE JUNCTIONS WHERE PIPE SIZE/ANGLES PROHIBIT USE OF 4'-0" DIAMETER MANHOLE.**

Computations: **COMPUTE INVERTS AND FLOATATION COMPS.**

Water Quality Provisions:

N/A

Cross Reference:

Zoning/Site Plan Review: **ARTICLE 8 – "GOOD NEIGHBOR" PERFORMANCE STANDARDS, PARAGRAPH 805 – STORMWATER RUNOFF**

Subdivision Review: **ARTICLE 10, PARAGRAPH 10.12 – STORMWATER MANAGEMENT; ARTICLE 11, PARAGRAPH 11.14 – STORM AND SURFACE DRAINAGE.**

ASCE MREP No. 77: **CHAPTER 8 – DESIGN OF DRAINAGE CONVEYANCES.**

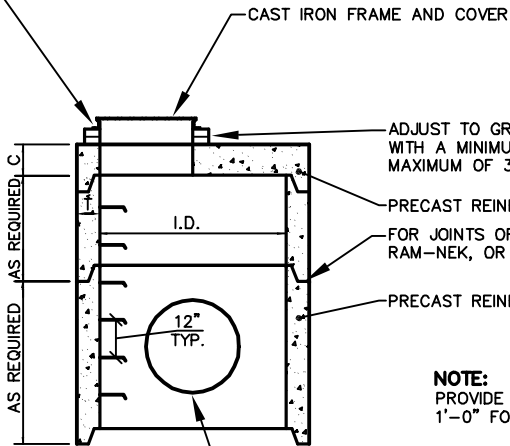
MEDEP STORMWATER BMP: **N/A**

CEMENT MORTAR
FORGED ALUMINUM
OR COPOLYMER
POLYPROPYLENE
SAFETY STEPS

I.D.	C	T
6'	8"	6"
8'	8"	8"

DESIGN NOTES:

1. ALL CONCRETE TO HAVE A MIN. 4,000 PSI COMPRESSIVE STRENGTH AT 28 DAYS
2. DESIGN FOR H-20 WHEEL LOADING
3. CATCH BASIN TO CONFORM TO ASTM-C478 SPECIFICATIONS
4. REINFORCE TO .12 IN. SQ./L.F.

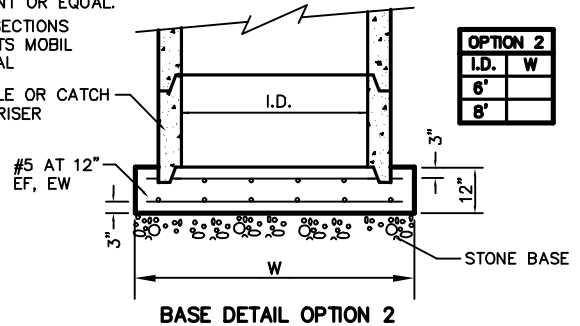
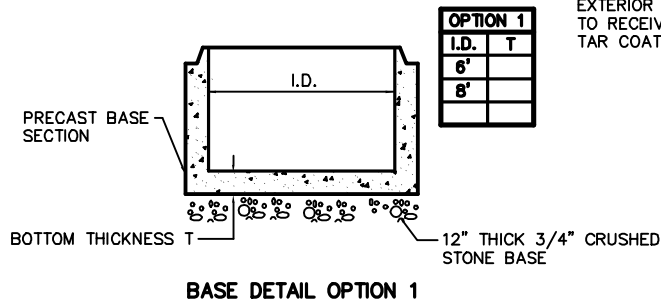


NOTE:
PROVIDE 2'-0" SUMP FOR CATCH BASINS & 1'-0" FOR CHANNEL IN MANHOLES

NOTE:
FOR BASE CONSTRUCTION SEE
BASE DETAIL

WATERTIGHT PIPE SEAL - FLEXIBLE SLEEVE CAST
IN PRECAST SECTION TO BE INTERFACE LOCK
JOINT OR EQUAL.

EXTERIOR OF ALL SECTIONS
TO RECEIVE 2 COATS MOBIL
TAR COAT OR EQUAL



NOTE: THE CONTRACTOR SHALL USE BASE OPTION 2 UNLESS ANTI-FLOATATION COMPUTATIONS ARE PROVIDED BY THE CONTRACTOR DEMONSTRATION OPTION 1 CAN BE USED AT THIS SITE. APPROVAL IS SUBJECT TO APPROVAL OF THE ENGINEER.

(DR-6) CITY OF SACO
LARGE DIAMETER STORM DRAIN MANHOLE AND
CATCH BASIN WITH FLAT TOP

N.T.S.