

(DR-8) CITY OF SACO
ETHERIDGE FOUNDRY CASCO TRAP DETAIL

N.T.S.

Short Form Specifications:

Material: **CAST IRON CASCO TRAP.**

QA/QC: **INSPECT DURING TYPICAL STRUCTURE INSPECTION.**

Submittal: **MANUFACTURER'S DATA.**

Completion: **N/A**

Installation: **PER MANUFACTURER'S SPECIFICATIONS.**

Design Checklist:

Use: **USE ON STRUCTURE OUTLETS OF 12" OR 15" DIAMETER.**

Computations: **N/A**

Water Quality Provisions:

CONTROL OF FLOATABLES.

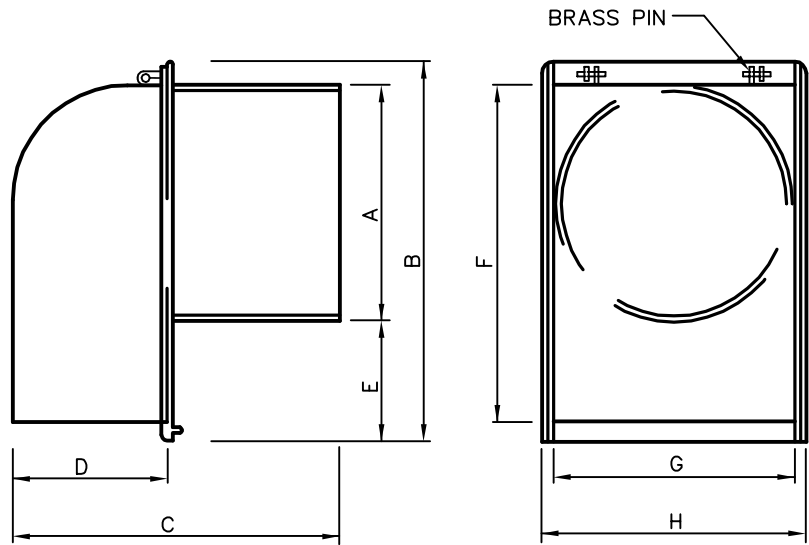
Cross Reference:

Zoning/Site Plan Review: **ARTICLE 8 – "GOOD NEIGHBOR" PERFORMANCE STANDARDS, PARAGRAPH 805 – STORMWATER RUNOFF**

Subdivision Review: **ARTICLE 10, PARAGRAPH 10.12 – STORMWATER MANAGEMENT; ARTICLE 11, PARAGRAPH 11.14 – STORM AND SURFACE DRAINAGE.**

ASCE MREP No. 77: **N/A**

MEDEP STORMWATER BMP: **SECTION 6.5.1 WATER QUALITY INLET.**



SIZE	A	B	C	D	E	F	G	H
12"	11 1/2	20	18	8	6 3/8	18	12 1/2	13 3/8
15"	14 1/2	22 1/2	23	10 1/4	5 3/4	21	14 1/4	15 3/4

NOTES:

1. INSTALL AN ETHERIDGE FOUNDRY CASCO TRAP IN ALL CATCH BASINS WITH A 12" OR 15" OUTLET PIPE.

2. THE CASCO TRAP IS AN ETHERIDGE STYLE DESIGNED TO ELIMINATE CEMENTING OF THE TRAP. TO INSTALL, THE CASCO TRAP IS INSERTED INTO THE STORM DRAIN WITH THE HOOD DOWN.

**(DR-8) CITY OF SACO
ETHERIDGE FOUNDRY CASCO TRAP DETAIL**

N.T.S.