

**(DR-9) CITY OF SACO  
MANHOLE CHANNEL INSTALLATION**

N.T.S.

Short Form Specifications:

Material:	<b>PREMANUFACTURER'S FIBERGLASS CHANNEL.</b>	QA/QC:	<b>PROVIDE SMOOTH TRANSITION FROM PIPE INLET TO CHANNEL.</b>
Submittal:	<b>MANUFACTURER'S DATA.</b>	Completion:	<b>N/A</b>
Installation:	<b>PER MANUFACTURER'S SPECIFICATIONS; SECTION 02605 – MANHOLE AND CATCH BASIN STRUCTURES OF STANDARD SPECIFICATIONS.</b>		

Design Checklist:

Use: **USE AS PREFERRED FLOW CHANNEL FOR ALL MANHOLE STRUCTURE.**

Computations: **INVERT DATA, FLOW ANGLES.**

Water Quality Provisions:

**N/A**

Cross Reference:

Zoning/Site Plan Review: **ARTICLE 8 – "GOOD NEIGHBOR" PERFORMANCE STANDARDS, PARAGRAPH 805 – STORMWATER RUNOFF**

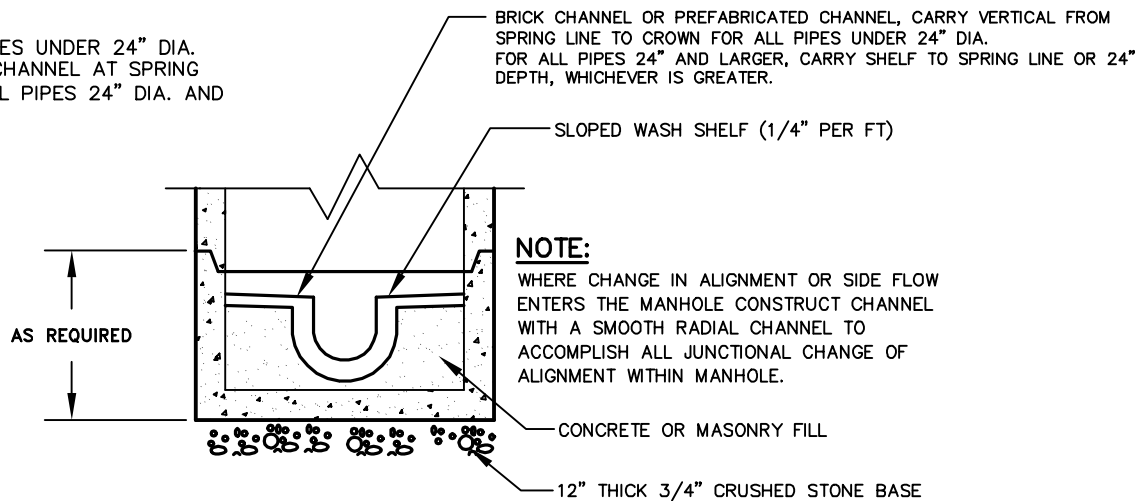
Subdivision Review: **ARTICLE 10, PARAGRAPH 10.12 – STORMWATER MANAGEMENT; ARTICLE 11, PARAGRAPH 11.14 – STORM AND SURFACE DRAINAGE.**

ASCE MREP No. 77: **N/A**

MEDEP STORMWATER BMP: **N/A**

NOTE: MANHOLE TEST TO BE ACCOMPLISHED  
AFTER CHANNEL INSTALLATION IS COMPLETE.

FOR ALL PIPES UNDER 24" DIA.  
TERMINATE CHANNEL AT SPRING  
LINE FOR ALL PIPES 24" DIA. AND  
OVER.



NOTE: BRICK CHANNEL TO BE AASHTO M-91-42 GRADE SA SEWER  
BRICK. A PREFABRICATED FIBERLINER 2000 CHANNEL, AS  
MANUFACTURED BY GDT, INC. ESSEX, CT OR EQUAL MAY BE USED  
IF APPROVED BY THE OWNER, MUNICIPALITY OR UTILITY DISTRICT  
WHERE APPLICABLE.

## (DR-9) CITY OF SACO MANHOLE CHANNEL INSTALLATION

N.T.S.