

**(ES-10) CITY OF SACO
EROSION CONTROL MESH**

N.T.S.

Short Form Specifications:

Material: MANUFACTURED COMBINATION OF MULCH AND NETTING SUCH AS AMERICAN EXCELSIOR CURLEX BLANKET OR EQUAL	QA/QC: INSPECT AFTER RAIN EVENTS; ENSURE CONTINUOUS SOIL CONTACT; REPAIR/REPLACE AS NEEDED.
Submittal: MATERIAL TO BE USED	Completion: UPON ESTABLISHMENT OF COVER, MESH CAN BE REMOVED OR LEFT TO BIOGRADE. VEGETATIVE COVER MUST ACHIEVE 75% CATCH.
Installation: UPON COMPLETION OF GRADING OPERATIONS OR IF SOIL IS TO BE LEFT EXPOSED FOR MORE THAN 15 DAYS.	

Design Checklist:

Use: SLOPES > 15%; CONCENTRATED FLOW AREAS; LATE FALL STABILIZATION FOR AREAS TO REMAIN EXPOSED THROUGHOUT WINTER; AND DISTURBED SOIL WITHIN 100 FEET OF LAKES, STREAMS, OR WETLANDS.

Computations: N/A

Water Quality Provisions:

PREVENTION OF EROSION AND SEDIMENT LOSS, AND IN ESTABLISHMENT OF VEGETATIVE COVER.

Cross Reference:

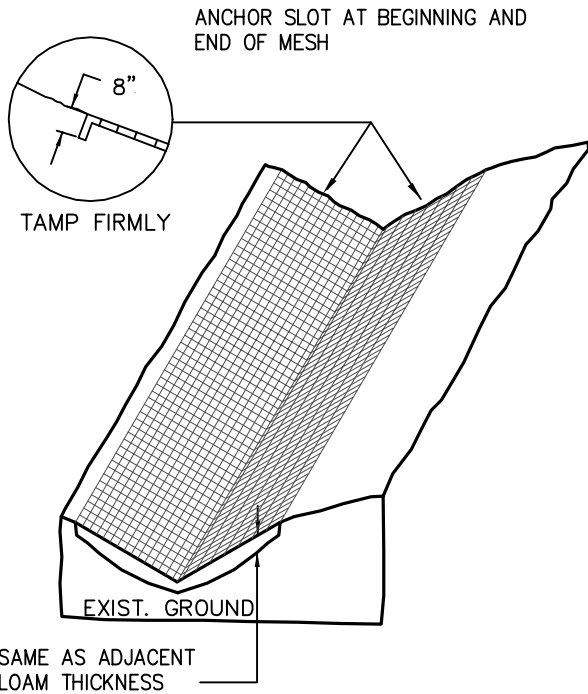
Zoning/Site Plan Review: ARTICLE 8 – GOOD NEIGHBOR PERFORMANCE STANDARDS, SECTION 806 – EROSION CONTROL

Subdivision Review: ARTICLE 5 – PRELIMINARY PLAN, PARAGRAPH 5.2.2(17)

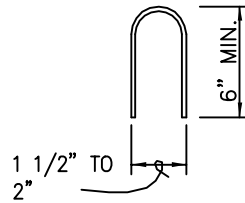
Erosion Control BMP: SECTION 1.0 – TEMPORARY MULCHING

ASCE MREP No. 77: CHAPTER 9 – P.339

MEDEP STORMWATER BMP: N/A

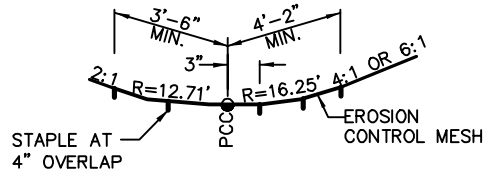
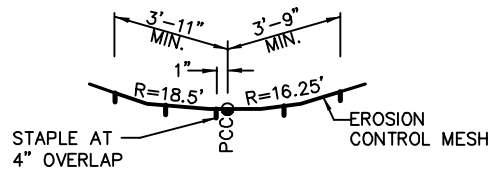
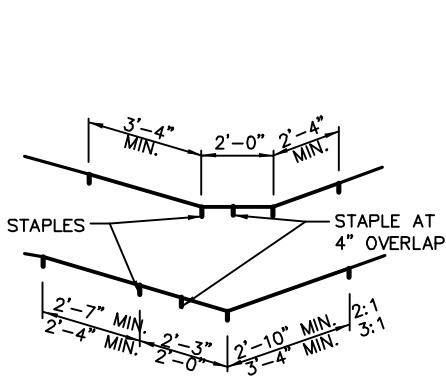


#11 OR HEAVIER STEEL WIRE



NOTE:
 STAPLE SPACING AT 3' C/C
 ALONG MESH EXCEPT AT 4"
 OVERLAP WHICH SHALL BE AT 1
 1/2' C/C

WIRE STAPLE



CIRCULAR DITCHES

STAPLES AT EDGES, AT QUARTER POINTS, AT 4" OVERLAP

(ES-10) CITY OF SACO
 EROSION CONTROL MESH

N.T.S.