

(ES-12) CITY OF SACO
RIPRAP SWALE

N.T.S.

Short Form Specifications:

Material:	RIPRAP, FILTER FABRIC, MDOT TYPE D SUBBASE GRAVEL	QA/QC:	INSPECT FOR DEBRIS AND EXCESS SEDIMENTATION.
Submittal:	RIPRAP GRADATION, GRAVEL GRADATION, FILTER FABRIC MATERIAL	Completion:	N/A
Installation:	CONSTRUCT TO LINE AND GRADE SHOWN ON PLANS. RIPRAP PLACEMENT SHALL NOT REDUCE DESIGN CAPACITY OF CHANNEL BY MORE THAN 10%.		

Design Checklist:

Use: **FOR AREAS WHERE VEGETATIVE WATERWAY DESIGN CRITERIA ARE EXCEEDED.**

Computations: **MANNING'S N; 10 YEAR, 24 HOUR FLOW; VELOCITY IN CHANNEL.**

Water Quality Provisions:

REDUCES GULLY EROSION

Cross Reference:

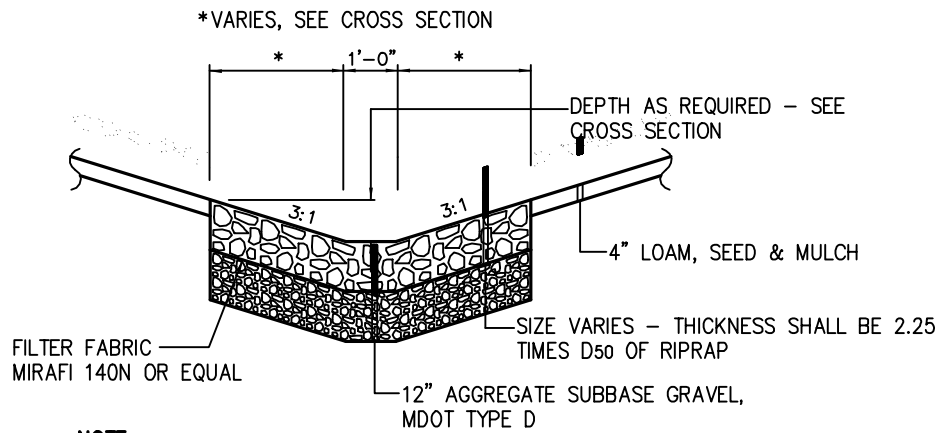
Zoning/Site Plan Review: **ARTICLE 8 – GOOD NEIGHBOR PERFORMANCE STANDARDS, SECTION 806 – EROSION CONTROL**

Subdivision Review: **ARTICLE 5 – PRELIMINARY PLAN, PARAGRAPH 5.2.2(17)**

Erosion Control BMP: **SECTION 37.0 – LINED WATERWAY; SECTION 70.0 – RIPRAP**

ASCE MREP No. 77: **CHAPTER 9, P.339**

MEDEP STORMWATER BMP: **N/A**



NOTE:
 ALL MATERIALS SHALL CONFORM TO THE CURRENT EDITION
 OF THE MDOT STANDARD SPECIFICATIONS.

(ES-12) CITY OF SACO
 RIPRAP SWALE

N.T.S.