

**(ES-8) CITY OF SACO
LEVEL LIP SPREADER OUTLET TYPICAL SECTION**

N.T.S.

Short Form Specifications:

Material:	4"x12" P.T. TIMBER, ALUMINUM BAR STOCK, STAINLESS STEEL HARDWARE, SONOTUBE, 4,000 PSI CONCRETE	QA/QC:	PROVIDE FREQUENT INSPECTIONS FOR CHANNELIZATION OF FLOWS. REPAIR IF CHANNELIZATION IS APPARENT.
Submittal:	DESIGN CALCULATIONS	Completion:	N/A
Installation:	RECEIVING AREA MUST BE STABILIZED PRIOR TO INSTALLATION. ENSURE LEVEL SPREADER IS LEVEL ACROSS GRADE.		

Design Checklist:

Use: **CONSTRUCT IN AREAS WHERE IT IS DESIRABLE TO CONVERT FLOWS TO SHEET FLOWS PRIOR TO ENTERING A STABILIZED BUFFER STRIP.**

Computations: **COMPUTE SPACING OF NOTCHES SUCH THAT THE VELOCITY OF THE OUTFLOW FROM THE LEVEL SPREADER IS LESS THAN THE ALLOWABLE VELOCITY OF THE RECEIVING SOIL. (REF. SECTION 36 OF EROSION CONTROL BMP)**

Water Quality Provisions:

REDUCTION OF DOWNSTREAM EROSION AND SEDIMENT LOSS

Cross Reference:

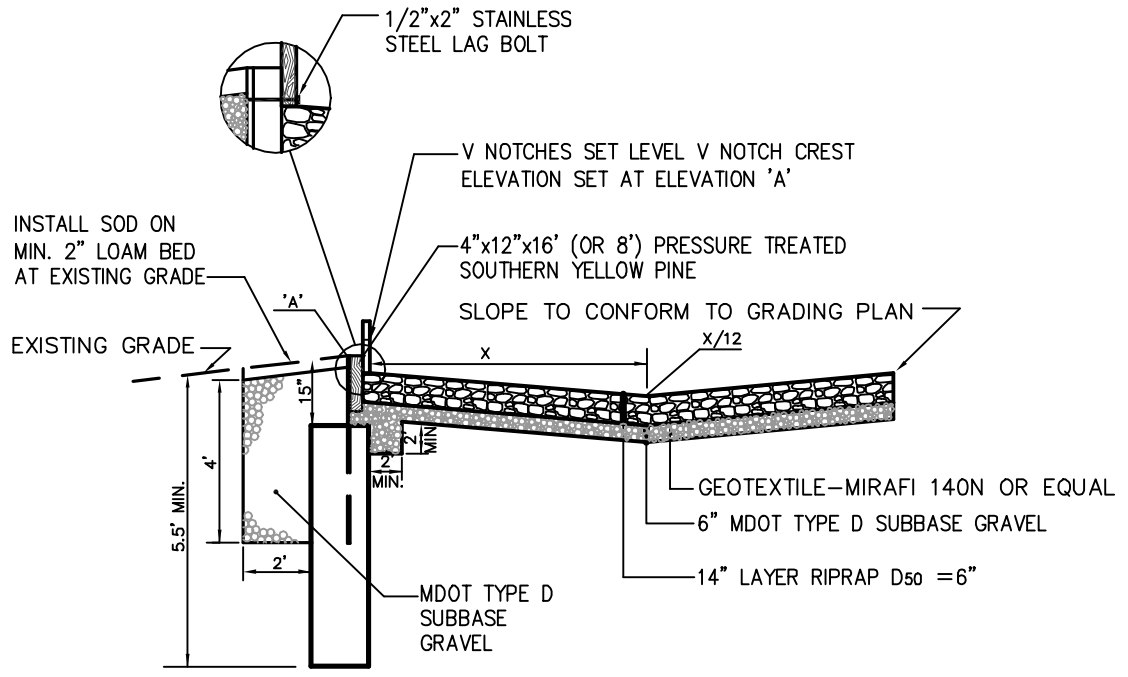
Zoning/Site Plan Review: **ARTICLE 8 – GOOD NEIGHBOR PERFORMANCE STANDARDS, SECTION 806 – EROSION CONTROL**

Subdivision Review: **ARTICLE 5 – PRELIMINARY PLAN, PARAGRAPH 5.2.2(17)**

Erosion Control BMP: **SECTION 39.0 – LEVEL SPREADER**

ASCE MREP No. 77: **N/A**

MEDEP STORMWATER BMP: **N/A**



(ES-8) CITY OF SACO
 LEVEL LIP SPREADER OUTLET TYPICAL SECTION

N.T.S.