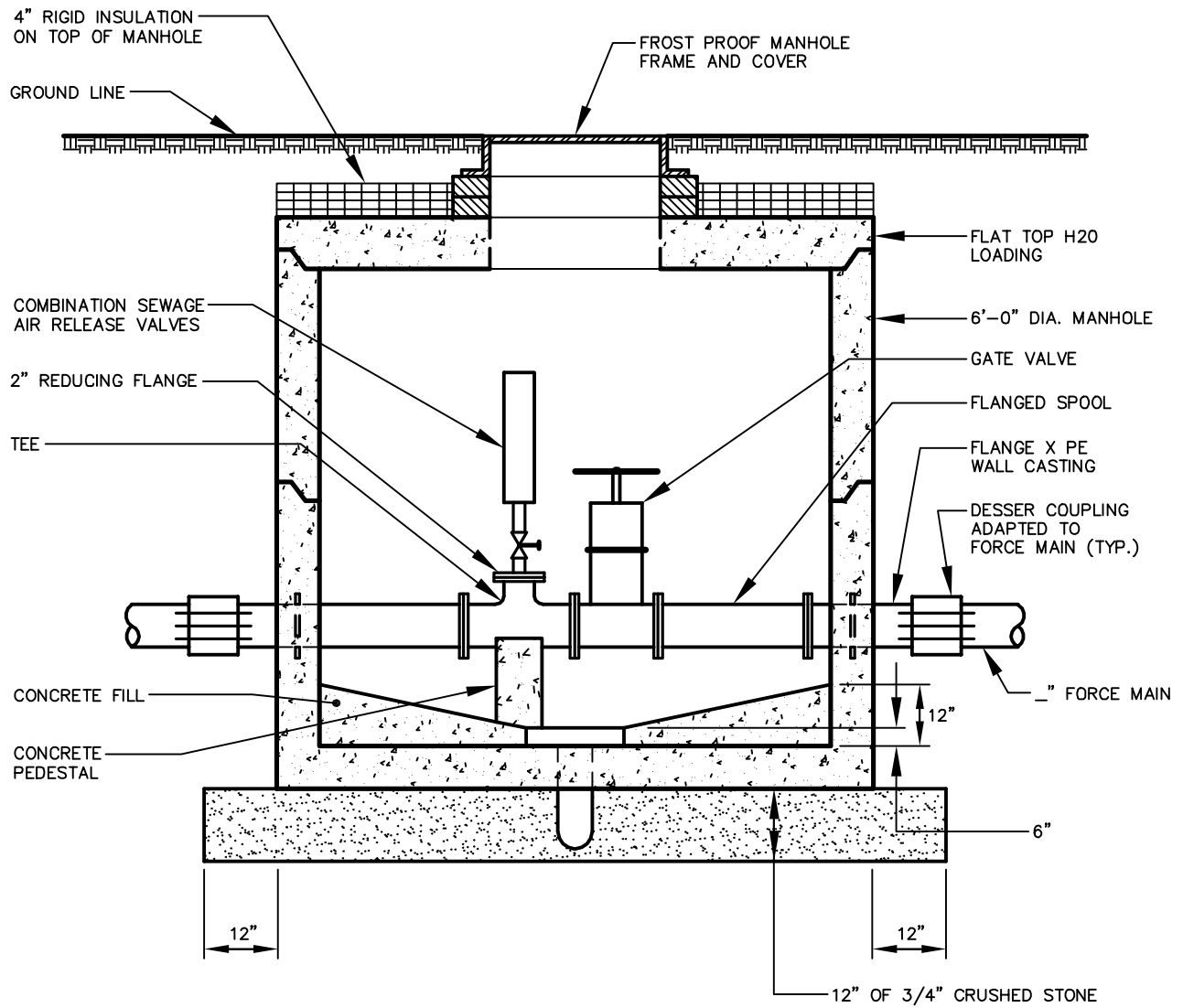


PLAN VIEW

(UT-7) CITY OF SACO
AIR RELEASE MANHOLE PLAN VIEW

N.T.S.



SECTION A-A

**(UT-6) CITY OF SACO
AIR RELEASE MANHOLE SECTION**

N.T.S.